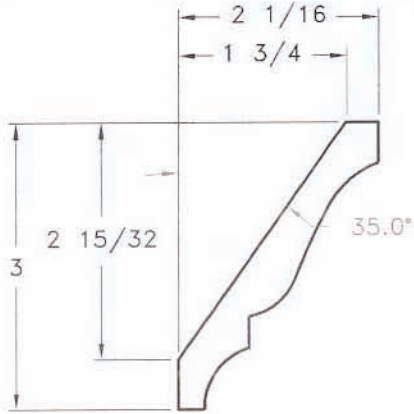
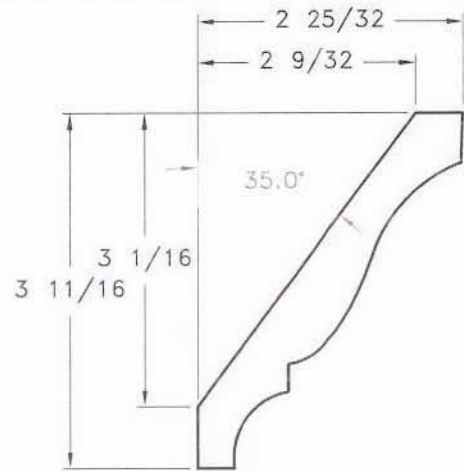


PCM Crown Dimension Projections

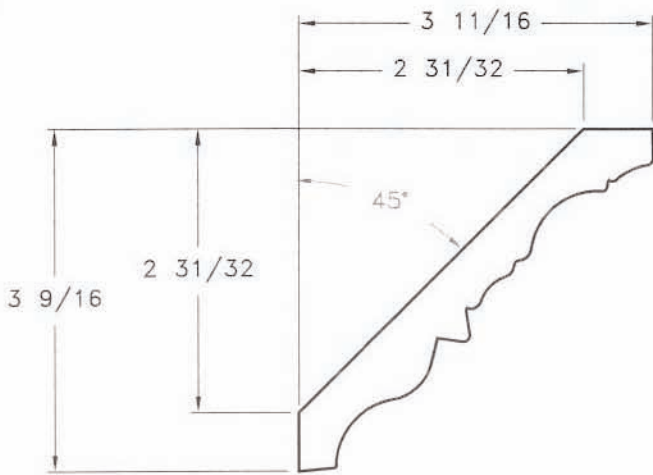
Classical sprung crown 3-5/8"



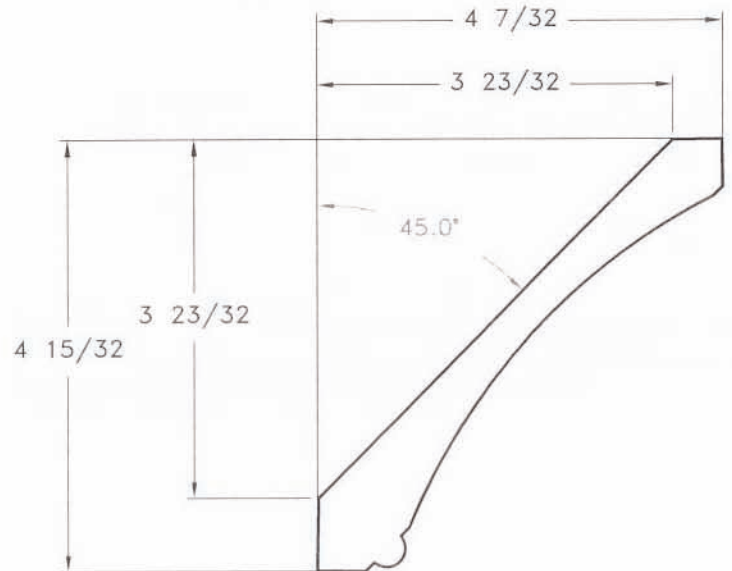
Classical sprung crown 4-5/8"



Victorian sprung crown



Harbor classic crown



Compound Miter Calculations



Classical Crown 4 5/8"
Slope= 53°
Bevel Angle = 34.38°
Miter Angle = 58.96°
Miter Saw Setting = 31.04°



Harbor Classic Crown
Slope= 44°
Bevel Angle = 29.42°
Miter Angle = 54.27°
Miter Saw Setting = 35.73°



Victorian Crown
Slope= 45°
Bevel Angle = 30°
Miter Angle = 54.74°
Miter Saw Setting = 35.26°



Classical Crown 3 5/8"
Slope= 55°
Bevel Angle = 35.4°
Miter Angle = 60.16°
Miter Saw Setting = 29.84°